



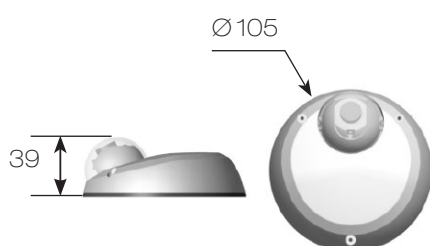
Fixed dome LD2222 in the L series is featuring built-in Sense up+ technology to deliver stunning video in low-light conditions. Utilizing intelligent image signal processing, 2D WDR function, AGC control, and 3D Noise Reduction, the combination successfully delivers the ultimate low-light image without motion blur. Support with PoE, privacy mask, White balance, and minimum illumination 0.6 Lux at F1.6 Low Light Mode or 0.8 Lux at F1.8 Low Light Mode.

#### FEATURES :

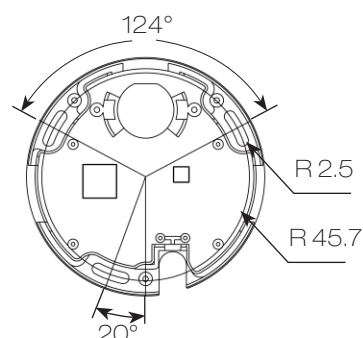
- Full HD 2 megapixel CMOS image sensor
- True H.264 AVC/MPEG-4 part 10
- H.264 and Motion JPEG triple video streaming
- 3D noise reduction (MCTF)
- 2D WDR function
- Digital zoom supported
- Audio / Motion detection alarm function
- Built-in highly sensitive microphone
- One-way audio supported
- ONVIF Profile S supported

#### DIMENSIONS : (Unit : mm)

Ø105 x 39



#### INSTALLATION HOLE SITE DIAGRAM :



## SPECIFICATION :

1080P HD Dome IP Camera			
Model		LD2222E2	LD2222E4
Lens	Focal Length		2.8 mm
	Iris		F1.8
	Angle of View	H	105°
		V	87°
D		135°	
Pick Up Element		1/2.7" CMOS image sensor	
Effective Pixels		1920 (H) x 1080 (V) = 2,073,600 (pixel)	
Chip Size		5.856mm (H) x 3.276mm (V)	
Scanning System		Progressive Scan	
Min. Illumination		0.8 Lux at F1.8	0.6 Lux at F1.6
White balance		Auto / Tungsten / Indoor / Fluorescents1 / Fluorescents2 / Outdoor1 / Outdoor2	
Back light compensation		Off / On	
Electronic Shutter		1/30(1/25)s - 1/8000s	
Sense up		Off / 1 Frame / 2 Frames / 3 Frames / 7 Frames	
Sense up +		Yes	
Auto gain control		36 dB Variable Gain	
3D Noise Reduction		Off / 1 - 32 Selectable	
2D WDR		Off / x2 / x3 / x4	
Privacy Masking		Off / On (4 zones)	
Image Effects		Brightness, Contrast, Hue, Saturation, Sharpness, Mirror, Flip	
Operating Temperature		-25°C - +50°C (-13°F - 122°F)	
Dimension		Ø 105 x 39mm	
Weight		250g	
Power Supply		DC12V ±10% / PoE (IEEE 802.3af compliant)	
Power Consumption		DC12V, 4.5W / PoE, 5W	

Network	
Video compression	H.264 , Motion JPEG
Resolution	1080P(1920 x 1080), 720P(1280 x 720), D1(720 x 480), CIF(352 x 240)
Maximum frame rate	H.264 : up to 15 fps @ 1920 x 1080 , 30fps @ 1280 x 720 , 30fps @ 720 x 480 Motion JPEG : up to 15 fps @ 1920 x 1080 , 30 fps @ 720 x 480 , 30 fps @ 352 x 240
Video streaming protocol	RTP/HTTP, RTP/TCP, RTP/UDP, Multicast
Video bitrate	128Kbps - 5Mbps
	Frame rate and bit rate controllable on-the-fly
	VBR / CBR / GOP supported
Security	Base64 HTTP encryption
	Multiple user access levels with password protection
	10 user accounts available
Users	8 simultaneous users
Digital zoom	Yes
OSD	Text overlay for date, time, and camera name
Alarm function	Motion detection triggering recording into SD card
	Image upload over FTP and E-mail by audio / motion detection
CPU, memory	Embedded SoC ARM11, 528MHz, 256MB DDR2, 256MB flash memory
Maintenance	Firmware update via HTTP
	Firmware available at web site
Network interface	10Mbps / 100Mbps Base-T, RJ-45
PC requirement	OS : Windows 2000, Windows XP, Windows Vista, Windows 7, Windows 8
	Browser : Windows Internet Explorer 6.0 or above
	CPU : Intel Pentium 4 1.8GHz or above
	RAM : 1GB or above, Independent Display Card
Network protocols	IP, TCP, UDP, HTTP, SMTP, NTP, DDNS, UPnP, FTP, ARP, DHCP, PPPoE, DNS, RTSP, RTCP, Telnet, ICMP, IGMP, ONVIF Profile S, SNMP, SIP, Bonjour
Mobile phone	iPhone, iPad, and Android support
System integration	ONVIF & LILIN HTTP API
Central management system	CMX 3.6 / NAV 1.0 support
Video display	LILIN Universal ActiveX & LILIN Java Applet
OS	Embedded Linux 2.6.32
One-way audio	G.711 / PCM
SD card recording	Support Micro SD/SDHC card for circular recording (card is not included)