



NVR104

1080P REAL-TIME MULTI-TOUCH 4 CHANNEL STANDALONE NVR



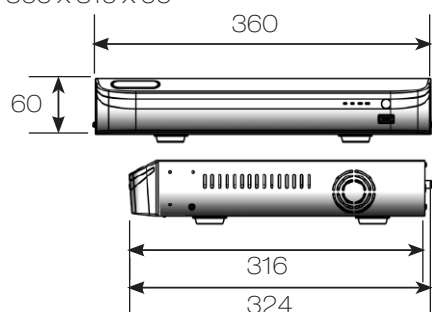
NVR104 is a 4-channel IP standalone Network Video Recorder offering 25 frames per second for each channel at a full 1080P resolution. Touch screen, mouse, LILIN twist zoom keyboard or IR remote control, easy to navigate menus, supporting 2 SATA hard drives, motion detection, weighted and scheduled recording. Audio recording and playback. WS discovery for easy network discovery. USB or network backup. HDMI output. Full NAV support, web based remote viewing & iPhone, Blackberry and Android support. Multi-touch screen supported.

**FEATURES :**

- Multi-touch screen supported
- 1080P 4 channel real-time NVR up to 24 Mbps throughput
- Full HD 1920x1080 HDMI output
- Support 2 SATA HDDs, 1 eSATA
- 3G mobile phone (iPhone, iPad, Android, and Blackberry) solutions provided.
- External USB DVD/RW.
- CMX 3.6 / NAV 1.0 support

**DIMENSIONS : (Unit : mm)**

360 x 316 x 60



[www.meritlilin.com](http://www.meritlilin.com)



## SPECIFICATION :

Name	H.264 1080P Real-time Multi-touch Standalone NVR
Model	NVR104
IP video supports	Network camera, Network PTZ dome, and video server
IP video Input	Up to 4-channels 1080P
Max Network throughput	24 Mbps
HDD disk supported	SATA port x2
External RAID supported	e-SATA port x1
Recording	
Recording mode	External alarm / motion detection / schedule / manual
Resolution	1080P/ 720P/ D1/ VGA
Recording video	1080P/ 720P/ D1/ VGA
Schedule	7 day x 24 hrs time table, recording mode configurable
Backup	
Backup	USB 2.0 flash disk / HTTP file download / Audio supported
DVD/RW	Support external USB DVD/RW
Playback	
Resolution	1080P/ 720P/ D1/ VGA
Playback video	1080P/ 720P/ D1/ VGA
Speed	FR: 2X, 4X, 8X,16X, 32X, 64X FF: 2X, 4X, 8X,16X, 32X, 64X
Video output	
HDMI output	1920 x1080P
Backlight saving	LCD backlight saving mode
Multi-touch	Support USB multi-touch screen
Multiplexer	
Multiplexer	Freeze
Split screen	4
Digital zoom	Up to 64X on live and playback
Management	
Reports	Full alarm, configuration, and operation reports exporting over HTTP or USB
Authentication	User authentication with feature configurable
Recording day	Recording day calculator
Alarm/event	
Alarm/event	DI x 2 and DOx 2 (NO/NC)
Motion	Motion grid 20x12 each channel, 8 sensitivities
Event	External alarm, video loss, stop recording, power recovering, motion detection, schedule, logon, HDD format
Email	Alarm notification with JPEG attachments
Accessories	
Accessories	Remote controller addressable up to 255 NVRs
P/T/Z protocol	Via network LILIN HTTP/Onvif supported
Keyboards	PIH-931D keyboard
IR receiver	None
RS-485/RS-232	RS-485 keyboard connector Input x 1 , 12V output
Mouse	USB, mouse-click, mouse scroll, mouse drag
Audio out	RCA, 1 output
Remote control	Yes
Network ports	
Network ports	Gigabit LAN, RJ45 x1
Network	Direct Internet browser access / multiple users access
Protocols	ARP / TCP/IP / UDP / HTTP / SMTP / FTP / DDNS
Web	Live / event log & time search playback / AVI
NVR status	HTML NVR status
IPScan	IP Scan supported, automatically quick IP address setup for IP cameras and NVRs
Software	
Backup manager	Multiple NVRs FTP file download and multi-channel playback
Mobile phone	iPhone, iPad, Android and Blackberry Mobile phone supported
Others	
WDT	Hardware watchdog timer
DST	Daylight saving time
Multilanguage	English, Chinese, French, German, Hungarian, Polish, Italian, Portuguese, Arabic, Russian, Turkish, Spanish, Simplified Chinese
CPU/OS	ARM cortex A9 processor @ 600 MHz, linux 2.6 kernel
Power	
Power	DC 12V/ 5A / 60W
Working env.	Temp: 0°C - +45°C / Humidity: 0% - 80%
Dimension	360 x 316 x 60 mm
Weight	3.0 Kg (w/o HDD)